

Step 1

Lay out bookshelves A & B as shown in diagram #1
 Lay out base C between bookshelves A & B all pieces are on their backs
 Locate bolts and wing nuts supplied in plastic bag
 Place bolts through holes in the base of A-B-C as shown above
 There should be (2) bolts through each side of base C.
 When finished bolting stand unit up on it's base.

Diagram 2

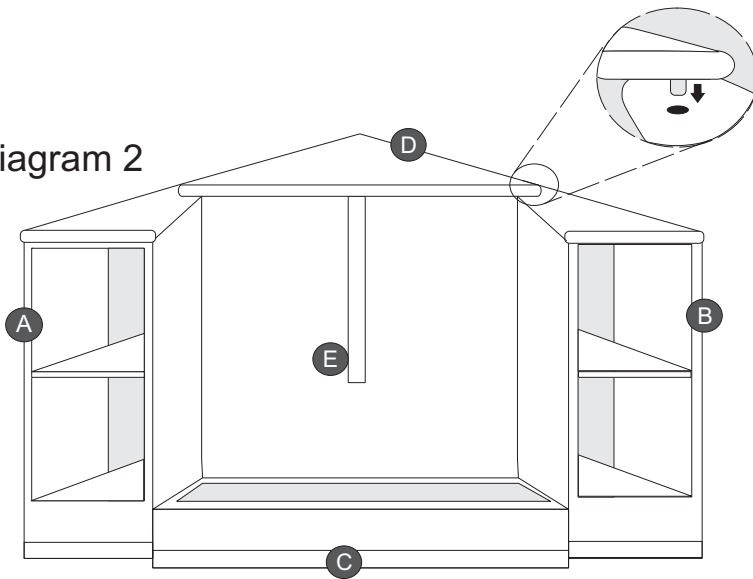
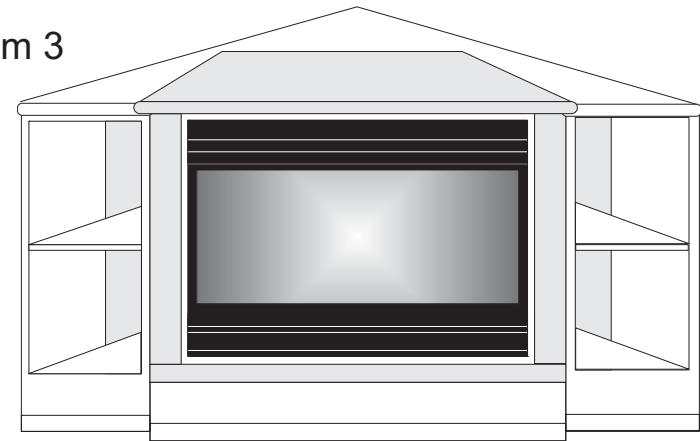


Diagram 3



Step 2

Locate Top piece D and Support leg E
 Locate (2) dowels supplied in plastic bag
 Insert (2) small dowels in corner hole of D
 Install Top piece D into holes of bookshelves A & B
 Install Support leg E into hole in Top piece D as Shown
Verify E and D are level and secure before adding weight

Step 3

Carefully lift fireplace onto base C
 Always use (2) people when lifting your fireplace
 Mantle top edges should rest on bookshelf A & B
 Mantle top back edge should sit level with D
 Wheels should be completely concealed inside base C
Enjoy your new Cozy Corner Bookcase